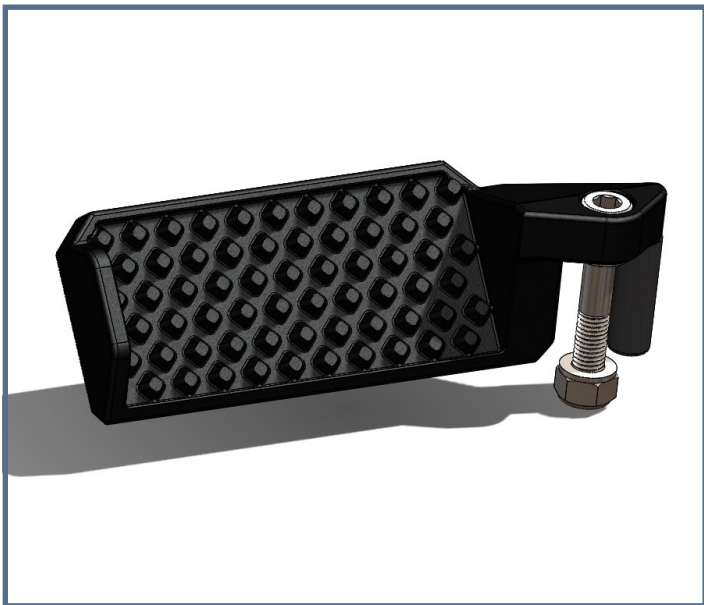




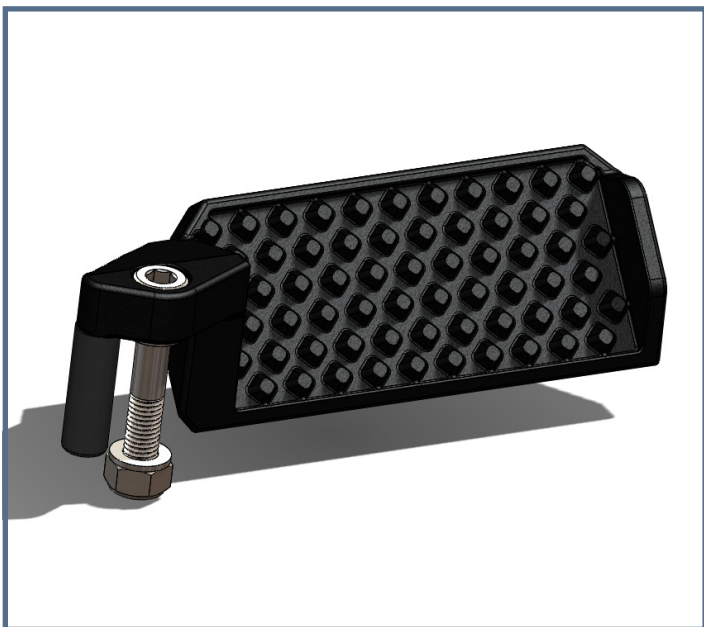
THE PURSUIT OF FREEDOM

FLY OFFROAD JK-JL-JT FOOT PEG INSTALLATION

PART NUMBER: 0195-02301 (SET of 2) or 0195-02302 (SET of 4)



DRIVER FOOT PEG



PASSENGER FOOT PEG

BEFORE YOU BEGIN

Thank you for purchasing these Fly Offroad JK Front Grab Handles and joining us in The Pursuit of Freedom! Please inspect package contents upon opening. Ensure it is complete according to the parts list below and that none of the contents are damaged or missing. If there are any discrepancies please contact Fly Offroad at info@flyoffroad.com and we will correct the error ASAP. These instructions are to serve as a general guide... as the saying goes there is a thousand ways to skin a cat. We aim to take the picture worth a thousands words approach with little words to help guide you to successful looking Fly

Always two there are, no more, no less. A master and an apprentice.

-Yoda

0195-02301/0195-2302 JK-JL-JT FOOT PEGS

Driver Foot Peg.....	1 or 2
Passenger Foot Peg	1 or 2

0195-02301/02-HW Foot Peg Hardware Kit

M10 x 1.5mm Socket Head Cap Screw, 60mm long.....	2 or 4
Stainless Steel M10 x 1.5mm lock nut	2 or 4
Stainless Steel Washer.....	4 or 8

NEED TO KNOW

- Lefty Loosey Righty tighty...
- Where to find your tools...
- You are about to install the most FLY Jeep foot pegs ever created

TOOLS NEEDED

- Jeep door removal tools
- T40 torx bit (JK)
- T50 torx bit (JL/JT)
- 17 mm Wrench or Socket
- 8 mm L'n Key

IMPORTANT INFORMATION

Fly Offroad Foot Pegs are designed to be installed onto the hinges of a stock, undamaged, Jeep JK, JL or JT. Installing onto a damaged vehicle will void all warranties. Each foot peg is side specific. Do not attempt to install a on the incorrect side of the Jeep. Unfortunately foot pegs will not work on older model Jeeps... we tried Note: Stainless steel hardware is soft by nature and threads can be damaged when improperly or impatiently trying to start nut and bolt. Patience is always key.

Feel free to contact Fly Offroad before you begin the installation if you have any questions or concerns.



THE PURSUIT OF FREEDOM

INSTALLATION PROCEDURE

FLY OFFROAD JK-JL-JT FOOT PEGS

