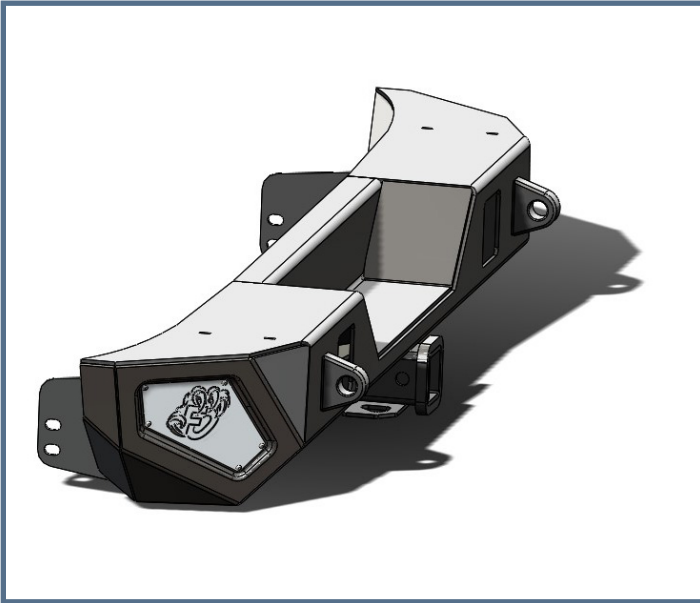




# THE PURSUIT OF FREEDOM

## FLY OFFROAD JK/JKU REAR BUMPER INSTALLATION

PART NUMBER: 0124-12201 (RAW) or B124-12201 (BLACK)



DRIVER SIDE VIEW



PASSENGER SIDE VIEW

### BEFORE YOU BEGIN

Thank you for purchasing these Fly Offroad JK Rear Bumper and joining us in The Pursuit of Freedom! Please inspect package contents upon opening. Ensure it is complete according to the parts list below and that none of the contents are damaged or missing. If there are any discrepancies please contact Fly Offroad at [info@flyoffroad.com](mailto:info@flyoffroad.com) and we will correct the error ASAP. These instructions are to serve as a general guide... as the saying goes there is a thousand ways to skin a cat. We aim to take the picture worth a thousands words approach, with little words to help guide you to successfully being FLY.

Life is like riding a bicycle. To keep your balance you must keep moving.

- Albert Einstein

### 0124-12201/B124-12201 JK REAR BUMPER

Rear Bumper, raw or black.....	1
FO logo plate, driver side.....	1
FO logo plate, passenger side.....	1

### 0124-12201 Rear Bumper Hardware Kit

1/2"-13 hex head screw, 4-1/4" long.....	2
1/2"-13 lock nut.....	2
1/2" washer.....	4
3/8"-16 clip-on barrel nut.....	2
3/8"-16 flanged hex head screw, 1" long.....	2
Domed head blind rivet, 1/8" dia., 1/4" thick.....	12

### NEED TO KNOW

- Lefty Loosey Righty tighty...
- Where to find your tools....
- How to mark and drill holes....

### TOOLS NEEDED

- 16mm socket
- 18mm socket
- 9/16" socket
- 3/4" or 19mm socket
- 3/4" or 19mm wrench
- Ratchet & Extension for sockets
- Rivet gun with 1/8" tooling
- Marker
- Drill
- Drill Bit Set and Stepper Bit
- Extra set of hands...

### IMPORTANT INFORMATION

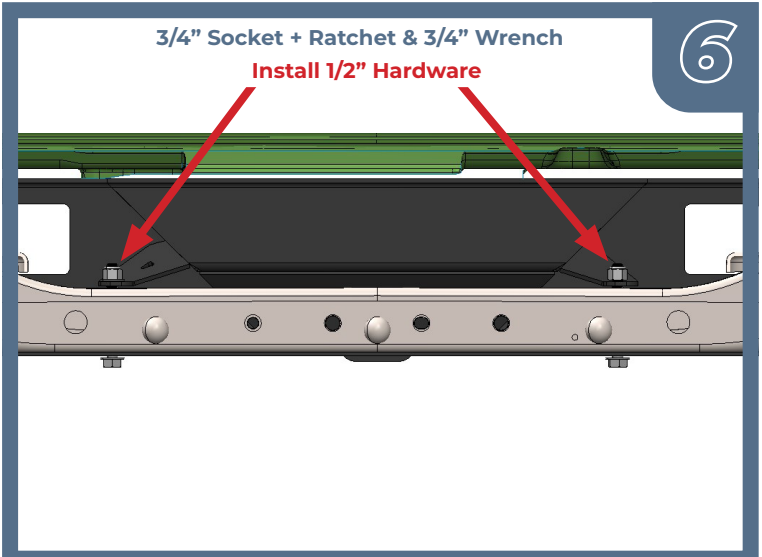
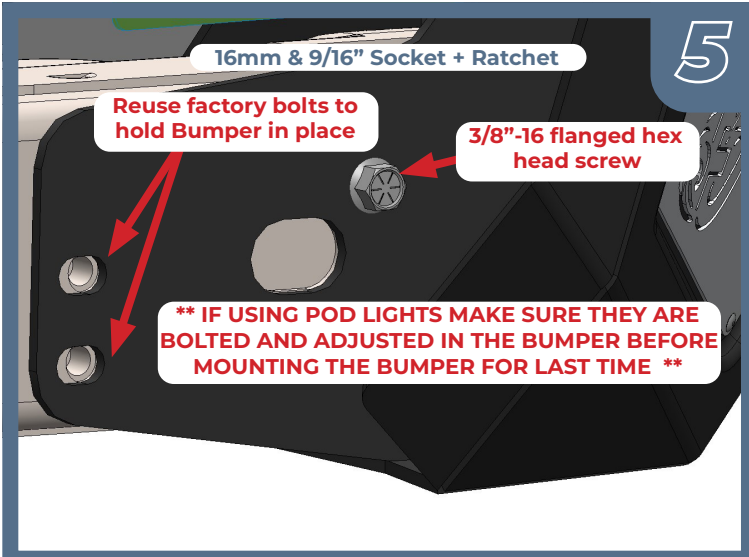
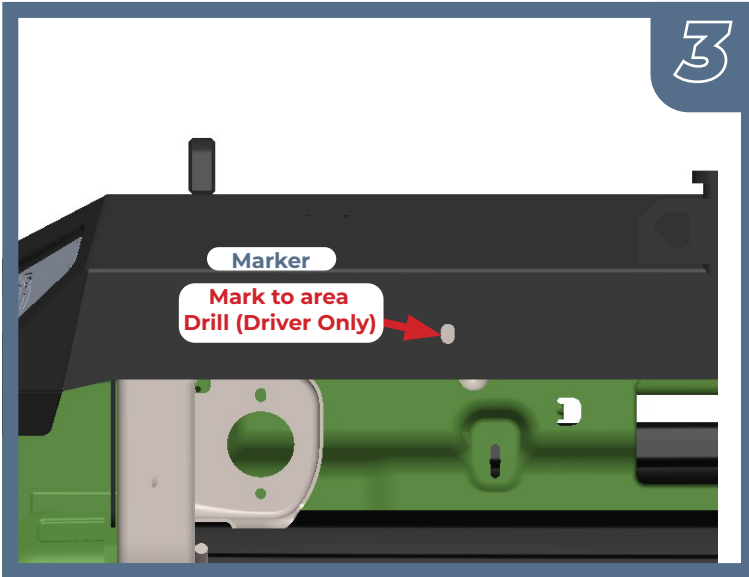
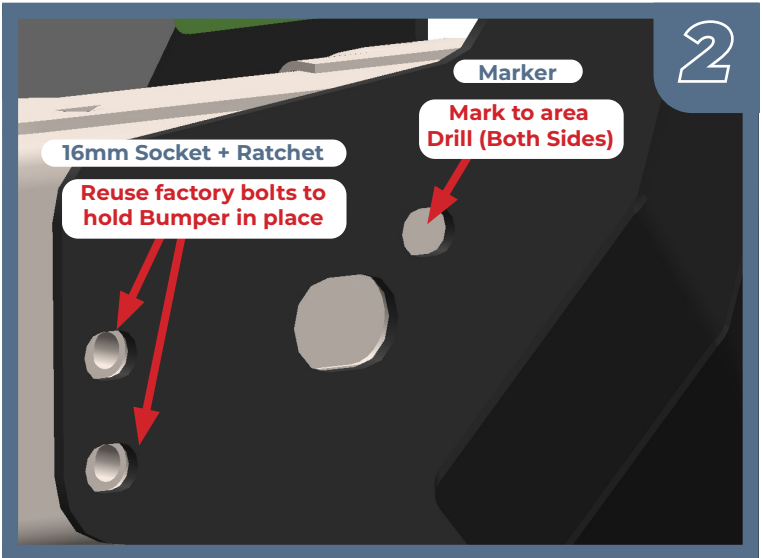
Fly Offroad Rear Bumper is designed to be installed onto the undamaged, structurally sound frame of a Jeep Wrangler JK or JKU. Installing onto a damaged vehicle will void all warranties.

Feel free to contact Fly Offroad before you begin the installation if you have any questions or concerns.



# THE PURSUIT OF FREEDOM

## INSTALLATION PROCEDURE FLY OFFROAD JK REAR BUMPER





# THE PURSUIT OF FREEDOM

## INSTALLATION PROCEDURE FLY OFFROAD JK REAR BUMPER

