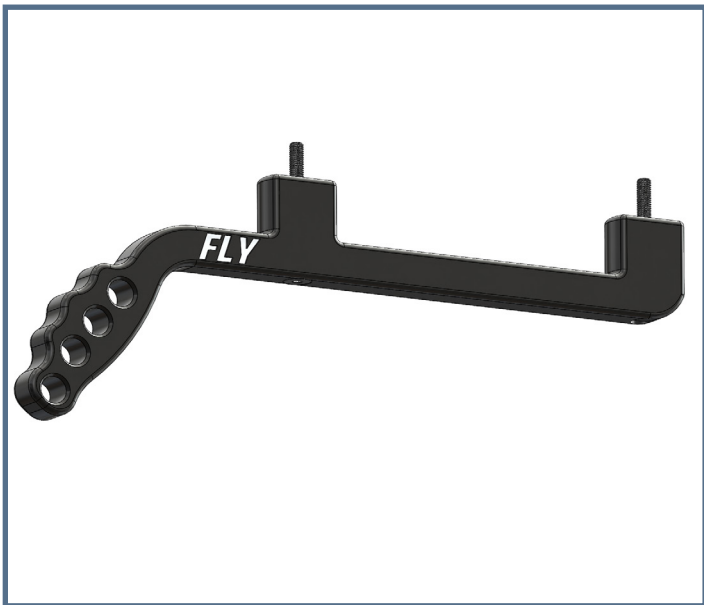




THE PURSUIT OF FREEDOM

FLY OFFROAD REAR JK GRAB HANDLE INSTALLATION

PART NUMBER: 0124-02201



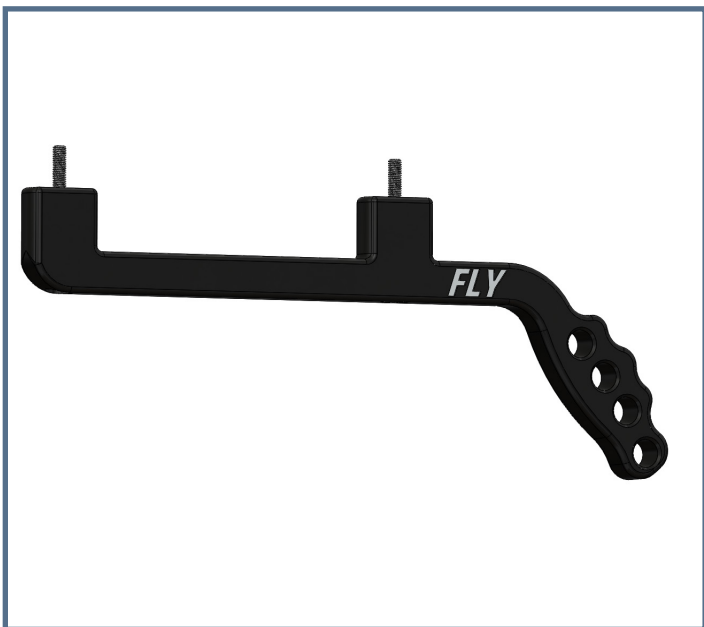
JK REAR GRAB HANDLE

BEFORE YOU BEGIN

Thank you for purchasing these Fly Offroad JK Rear Grab Handles and joining us in The Pursuit of Freedom! Please inspect package contents upon opening. Ensure it is complete according to the parts list below and that none of the contents are damaged or missing. If there are any discrepancies please contact Fly Offroad at info@flyoffroad.com and we will correct the error ASAP. These instructions are to serve as a general guide... as the saying goes there is a thousand ways to skin a cat. We aim to take the picture worth a thousands words approach with little words to help guide you to successfully looking Fly

“You must unlearn what you have learned”

-Yoda



JK REAR GRAB HANDLE

0124-10101 FRONT JK GRAB HANDLES

Rear Grab Handle 2

0124-02201-HW Rear Grab Handle Hardware Kit

M6 x 1mm Flat Head Screw, 65mm long 4

NEED TO KNOW

- Lefty Losey Righty tighty...
- Where to find your tools...
- You are about to install the most FLY ;) grab handles ever created for a JK

TOOLS NEEDED

- 10mm Socket
- 1/4" or 3/8" Ratchet
- 3" Ratchet Extension
- 4mm Hex Head Key

IMPORTANT INFORMATION

Fly Offroad JK Rear Grab Handles are designed to be installed into the stock, undamaged, Jeep sound bar. They are designed to be as close to the factory sound bar to minimize the passengers chances of hitting head while entering or exiting the vehicle. Rear grab handles are not side specific but are orientation specific. Ensure the handle faces the front of the vehicle. Rear Grab Handles are compatible with aftermarket soundbars but longer hardware may be required. Installing into a damaged location will often not work and will void all warranties. Grab handles being constructed from Aluminum may be hot to touch on extremely hot days. Note: Stainless steel hardware is soft by nature and threads can be damaged when improperly or impatiently trying to start threads into the Jeeps factory nuts. Patience is Key.

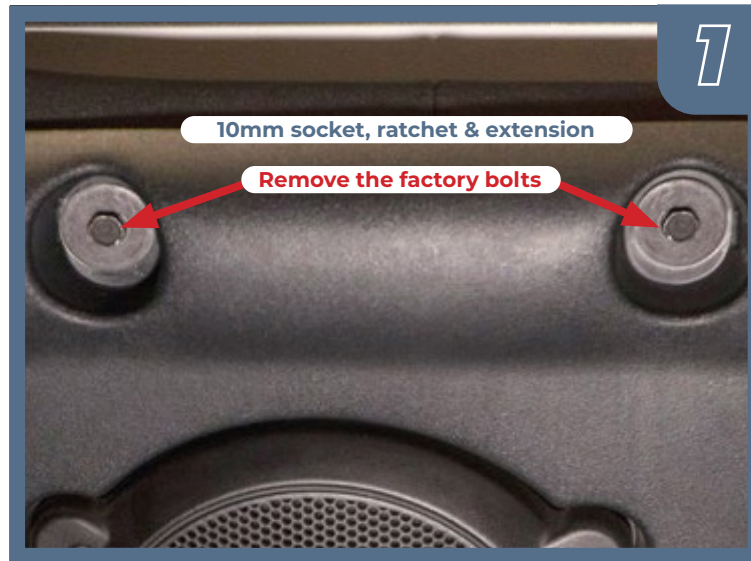
Feel free to contact Fly Offroad before you begin the installation if you have any questions or concerns.



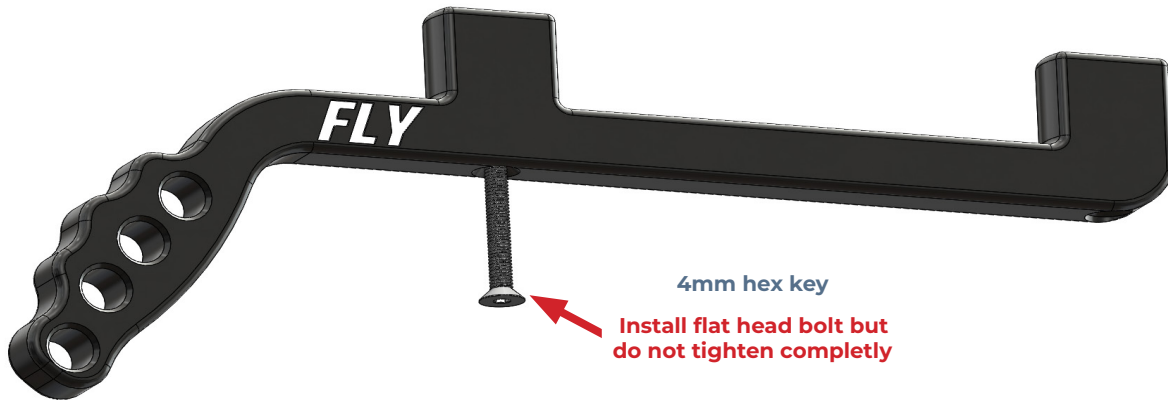
THE PURSUIT OF FREEDOM

INSTALLATION PROCEDURE

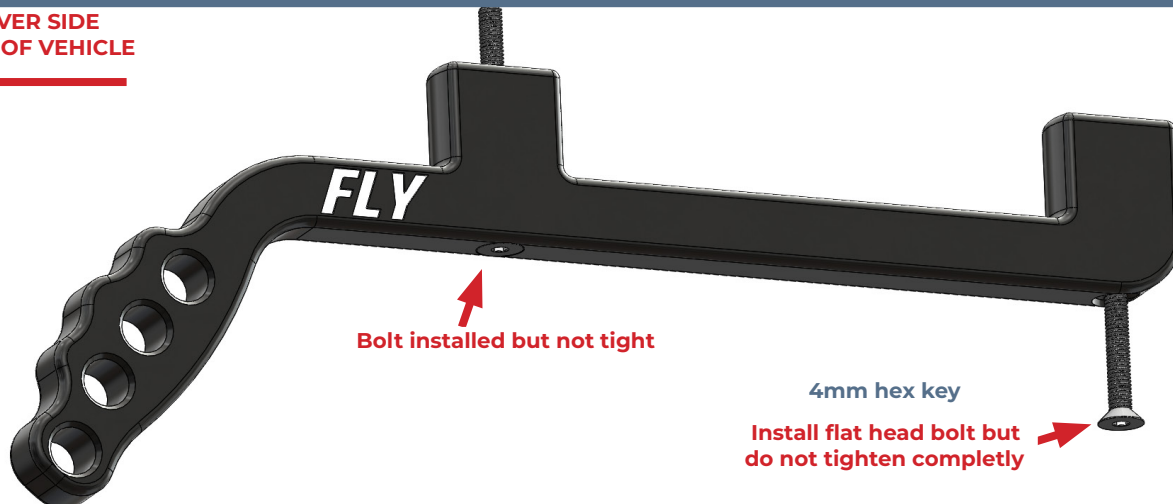
FLY OFFROAD REAR JK GRAB HANDLES



DRIVER SIDE
FRONT OF VEHICLE



DRIVER SIDE
FRONT OF VEHICLE



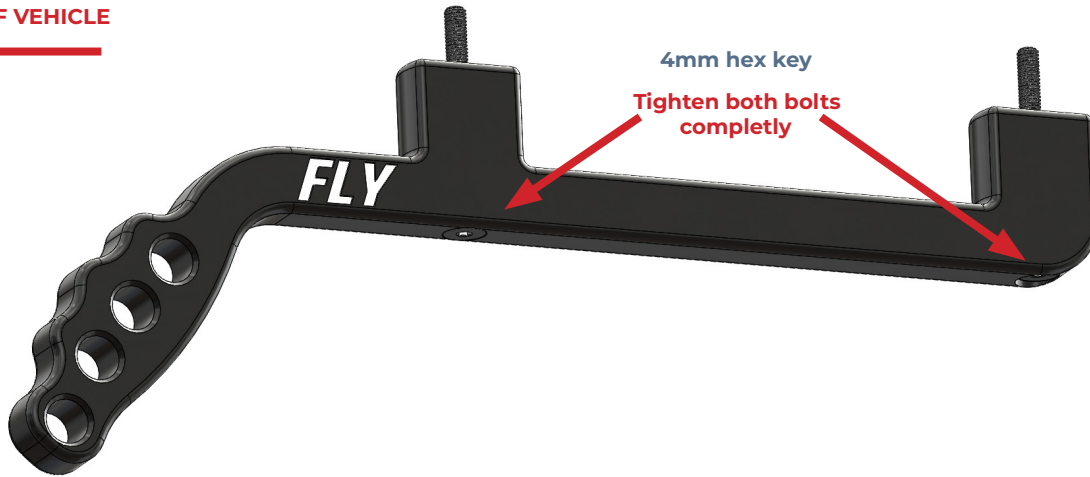


THE PURSUIT OF FREEDOM

INSTALLATION PROCEDURE

FLY OFFROAD REAR JK GRAB HANDLES

DRIVER SIDE
FRONT OF VEHICLE



4

PASSENGER SIDE
FRONT OF VEHICLE



5

Repeat Steps 1-5 for installing
other grab handle